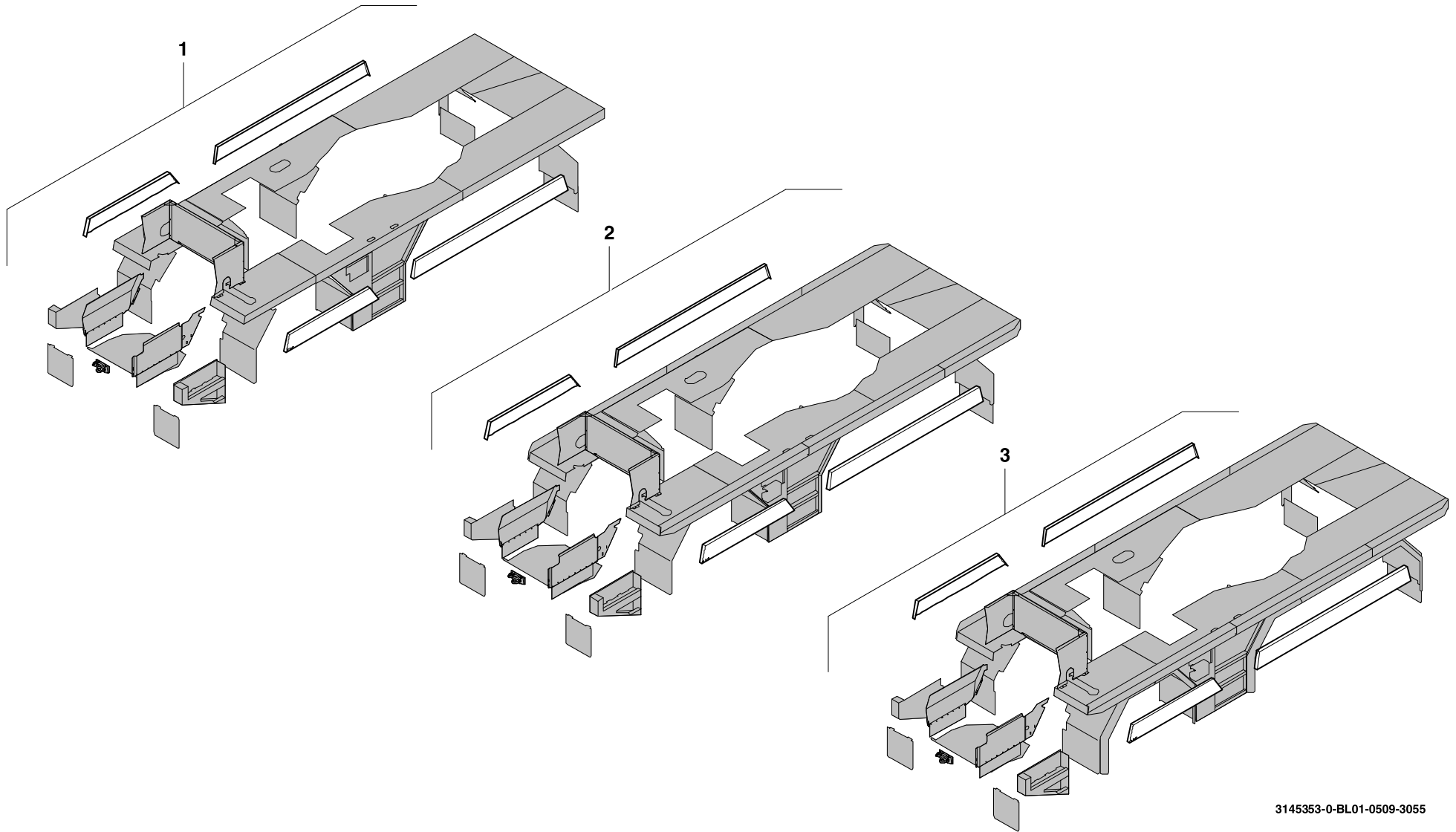


GROVEVARIANTEN ABDECKUNGEN
VARIANTS COVERINGSBILDTADEL
PICTORIAL DISPLAY

05.09

3145353-ETL #

1/1

**GMK 3055
BE 503
G 034**

3145353-0-BL01-0509-3055